

S-TEK INC. CUSTOM GLASS FORM

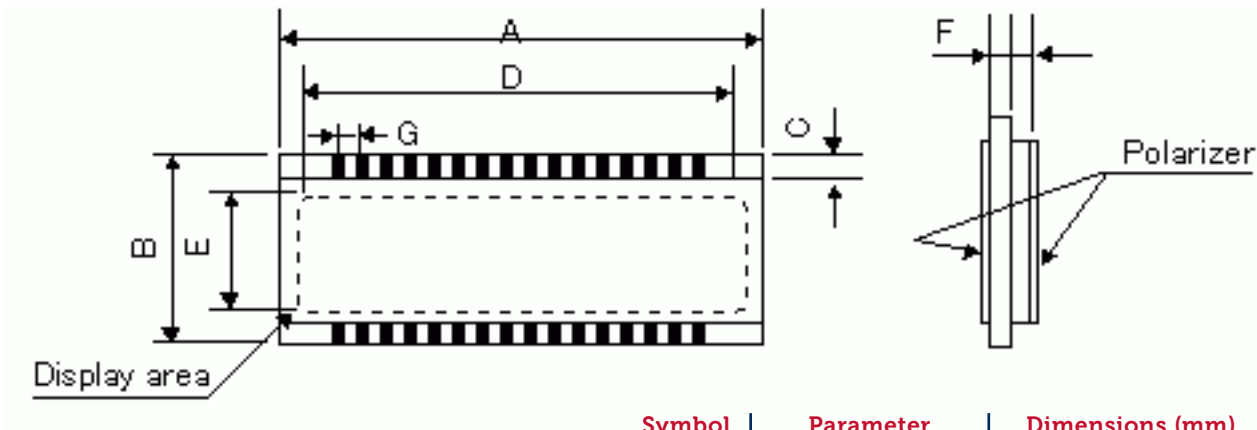


CUSTOM LCD DESIGN SPECIFICATION CHECK LIST

Custom LCD panels are designed and manufactured to meet your particular needs. Please check the following points,when ordering custom panels.

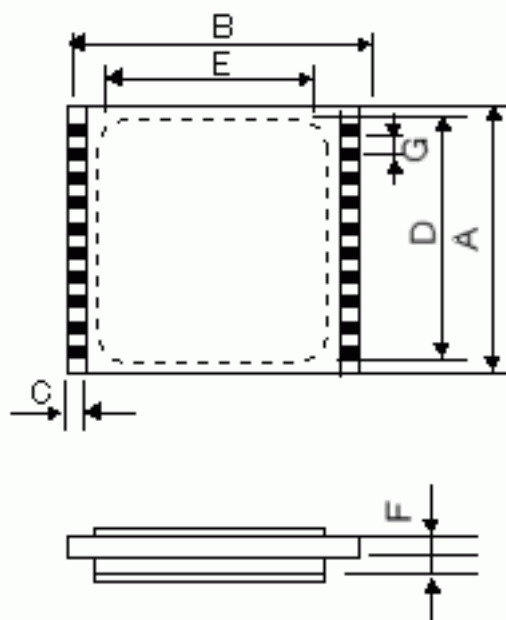
1.Panel dimensions

* **Vertical terminal type** - [] Top [] Bottom [] Top and Bottom



* **Horizontal terminal type**

[] Left [] Right [] Left and Right



Symbol	Parameter	Dimensions (mm)
A	Glass Size	
B	Glass Size	
C*	Size of Terminal	

Note C*: In the case of the pin-connected LCD panels, the dimension should normally be 2.5mm.

Symbol	Parameter	Dimensions (mm)
D,E*	Display Area	X
F	Glass Thickness (1.1,0.7,0.5mm)	X
G	Pitch of Terminal	

Note D,E*: The window frame of the case should be designed smaller than this dimension.



2. Operation Mode

- TN positive FSTN
- TN negative DSTN
- STN positive
- STN negative

3. Display Condition

- Reflective type
- Transmissive type
- Transflective type
- Others

4. Driving method & enviromental conditions

- Static * Driving frequency _____Hz
- Dynamic * Driving LSI_____
- _____Duty * Operating temp.
- _____Bias _____oC~_____oC
- * Driving * Storage temp.
- voltage_____V _____oC~_____oC

5. Options

- Separate type Polarizer(front.back) Black mask color
- Non-glare polarizer Print(color)
- Color polarizer(color) Display color matching

6. Quotation and Others

* Quantity_____/month	* Applications_____	* Block copy Yes _____, NO____
_____/total lot	* Quotation date_____	* Request for module Yes____, NO____

7. Planned Quantity and Schedule

Item	Submission of block copy	Approval of drawings	Delivery of engineering samples	Approval of engineering samples	Delivery of commercial samples	Initial mass production
Date						
Quantity	-	-		-		